

.750" Integrally Heated Hot Sprue Bushings

The PCS Company .750" Integrally Heated Sprue Bushings are an exclusive small to medium volume bushing with the ability to process a wide range of resins. The streamlined flow channel terminates in a reverse taper gate, providing minimum pressure loss and allowing for rapid gate freeze.

The formation of a small gate stub on the part or runner results in a machine hold-time reduction, with no increase in sink marks on the part.

The superior heat transfer ability of the heated sprue bushing can be attributed to it's integrally heated design. To optimize processing conditions for all thermoplastics, a replaceable thermocouple is strategically located close to the flow channel. Offered is both .500" and .750" radius with reinforced contact area for improved strength and heat transfer. Choose gating options of either standard sprue gate and .500" extra sprue gate. Contact PCS Company when exceeding recommended shot weight and processing temperature.



Features:

- .750" Diameter
- J Style Thermocouple
- Fully sealed construction to protect heater and thermocouple
- H-13 construction
- Maximum heat 600°F
- Recommended for commodity resins only
- Recommended locating ring - Item number LR075
- Optional insulating washers for high temperature applications

Item Number	L1 - OAL	L2	Head Diameter	Head Thickness	Radius	Extra Stock	Wattage
SB030000	2.375"	1.500"	1.990"	.875"	.500"	No	315
SB030001	2.375"	1.500"	1.990"	.875"	.750"	No	315
SB030004	2.875"	2.000"	1.990"	.875"	.500"	Yes	315
SB030005	2.875"	2.000"	1.990"	.875"	.750"	Yes	315
SB030008	2.875"	2.000"	1.990"	.875"	.500"	No	370
SB030009	2.875"	2.000"	1.990"	.875"	.750"	No	370
SB030012	3.375"	2.500"	1.990"	.875"	.500"	Yes	370
SB030013	3.375"	2.500"	1.990"	.875"	.750"	Yes	370
SB030016	3.375"	2.500"	1.990"	.875"	.500"	No	425
SB030017	3.375"	2.500"	1.990"	.875"	.750"	No	425
SB030020	3.875"	3.000"	1.990"	.875"	.500"	Yes	425
SB030021	3.875"	3.000"	1.990"	.875"	.750"	Yes	425
SB030024	3.875"	3.000"	1.990"	.875"	.500"	No	480
SB030025	3.875"	3.000"	1.990"	.875"	.750"	No	480
SB030028	4.375"	3.500"	1.990"	.875"	.500"	Yes	480
SB030029	4.375"	3.500"	1.990"	.875"	.750"	Yes	480
SB030032	4.375"	3.500"	1.990"	.875"	.500"	No	535
SB030033	4.375"	3.500"	1.990"	.875"	.750"	No	535
SB030036	4.875"	4.000"	1.990"	.875"	.500"	Yes	535
SB030037	4.875"	4.000"	1.990"	.875"	.750"	Yes	535

Insulating Washers

PCS Company's insulating washers designed specifically for the .750" Integrally Heated Hot Sprue Bushing. The insulating washers are recommended for high temperature resins to reduce heat loss.



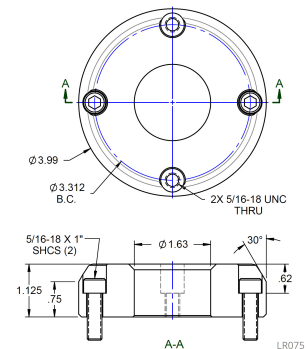
Features:

- Top and bottom washers are recommended for high temperature applications
- Outside diameter - 1.99"
- Inside diameters - .810" and 1.07"
- Thickness - .0125"
- Designed for the .750" Integrally Heated Hot Sprue Bushing

Name	Description	O.D.	I.D.	Thickness
MAX10015	Top Insulating Washer	1.99"(50.5mm)	1.07" (27.2mm)	.125" (3.2mm)
MAX10027	Bottom Insulating Washer	1.99"(50.5mm)	.810" (20.6mm)	.125" (3.2mm)

Locating Ring

PCS Company's locating ring designed specifically for the .750" Integrally Heated Hot Sprue Bushing. Customer to modify.



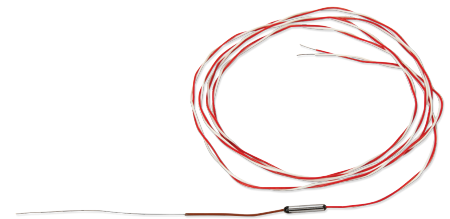
Features:

- Inside diameter - 1.630"
- Outside diameter - 3.990"
- Supplied with 5/16-18 X 1" screws
- Designed for the .750" Integrally Heated Hot Sprue Bushing

Name	Description	O.D.	I.D.	Thickness
LR075	Locating Ring	3.990" (101.35mm)	1.630" (41.40mm)	1.125" (28.58mm)

Thermocouples

PCS Company's replacement thermocouples for the .750" Integrally Heated Hot Sprue Bushing. Lead lengths of 60" with a probe diameter if .020". Choose from probe lengths of 4.5" and 5.5".



Features:

- J type replacement thermocouples
- Lead length- 60"
- Probe lengths- 4.5" and 5.5"
- Probe diameter- .020"
- Designed for the .750" Integrally Heated Hot Sprue Bushing

Name	Description	Probe O.D.	Probe Length	Lead Length
MT020020	J Type Thermocouple	.020"	4.500"	60"
MT020021	J Type Thermocouple	.020"	5.500"	60"