

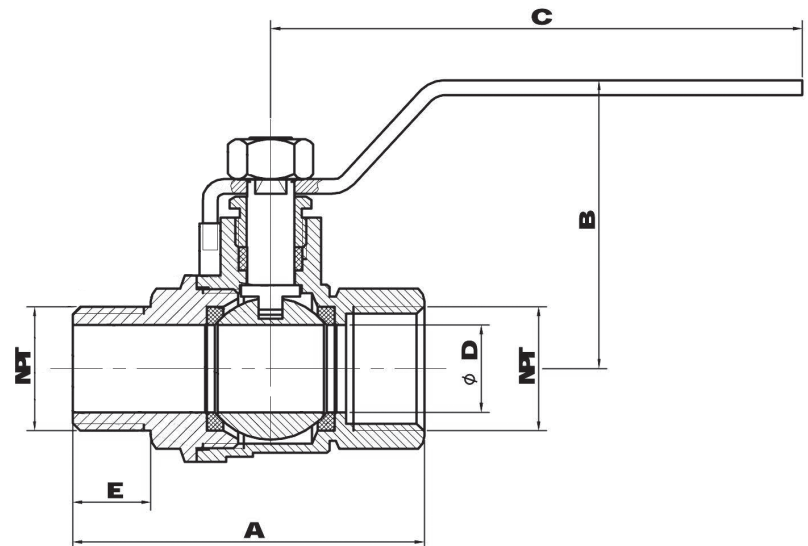
## Full Port Ball Valves - Male X Female

PCS Company offers Forged Brass Ball Valves - Male X Female which are suitable for a full range of liquids and gases. PCS Company's ball valves offer minimal pressure drop due to large full-size ports, and a bottom-loaded, pressure-retaining stem. Available in thread sizes 1/4" to 2".



### Features:

- Male X Female
- Pressure rated at 600 psi (42 bars) WOG
- Fast 1/4 turn open or close operation
- Low operating torque
- Operating Temperature -22° F to 302°F
- Self-cleaning, chromium-plated solid brass ball for maximum durability
- Bottom entry, blow-out proof stem
- Deeper threads - for better connections
- Thread ends to ANSI B1.20.1
- Not Lead Free



Name	Size	NPT	A	B	C	D	E
MFBV14	1/4"	1/4 - 18	2.016	1.689	2.756	0.315	0.457
MFBV38	3/8"	3/8 - 18	2.094	1.890	3.543	0.394	0.457
MFBV12	1/2"	1/2 - 14	2.343	2.050	3.543	0.583	0.520
MFBV34	3/4"	3/4 - 14	2.618	2.200	3.780	0.748	0.563
MFBV100	1"	1	3.000	2.579	4.528	0.945	0.630
MFBV125	1-1/4"	1-1/4 - 11.5	3.563	2.953	4.528	1.260	0.709
MFBV150	1-1/2"	1-1/2 - 11.5	3.965	3.346	5.512	1.575	0.717
MFBV200	2"	2	4.496	3.681	5.512	1.969	0.748