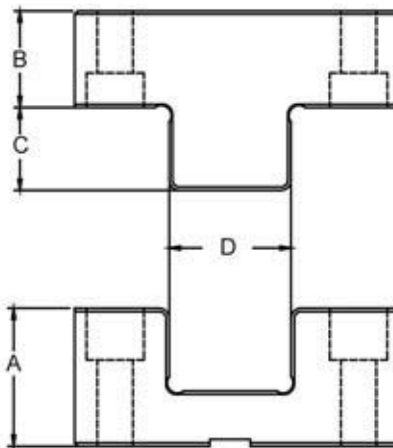
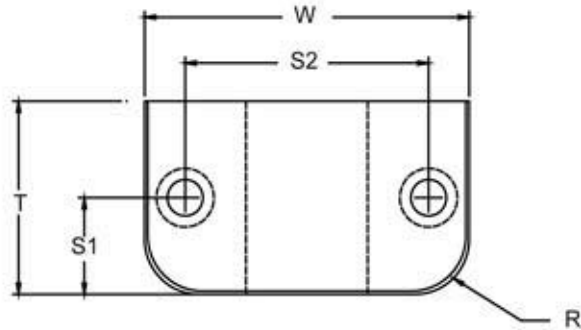




THE PRICE OF GOLD HAS DROPPED!



Male H13
Core: 40-44 HRC
Surface 65 HRC
Melonite® (SBN)

Female A2
Core: 58-60 HRC
Surface 80 HRC
Titanium Nitride Coated (TIN)

Aggressively Priced at 10% Lower Than Competition

Interchangeable & Footprint Compatible

Progressive Part #.	PCS Part #	T +.000 -.002	W +.0000 -.0004	A +.000 -.002	B +.000 -.002	C +.00 -.01	D +.0002 TOTAL	S1	S2	R	SHCS MALE	SHCS FEMALE
TL-75x125	TL-125P	.750	1.250	.625	.500	.38	.438	.375	.875	.250	#8-32 X .625	#8-32 X .750
TL-100x150	TL-150P	1.000	1.500	.875	.375	.50	.500	.500	1.000	.250	#10-32 X .500	#10-32 X 1.000
TL-112x200	TL-200P	1.125	2.000	.875	.625	.50	.750	.563	1.375	.375	1/4-20 X .750	1/4-20 X 1.00
TL-150x250	TL-250P	1.500	2.500	1.375	.625	.75	1.000	.750	1.750	.375	1/4-20 X .750	1/4-20 X 1.500
TL-175x300	TL-300P	1.750	3.000	1.250	.875	.750	1.125	.875	2.250	.500	5/16-18 X 1.000	#5/16-18 X 1.250