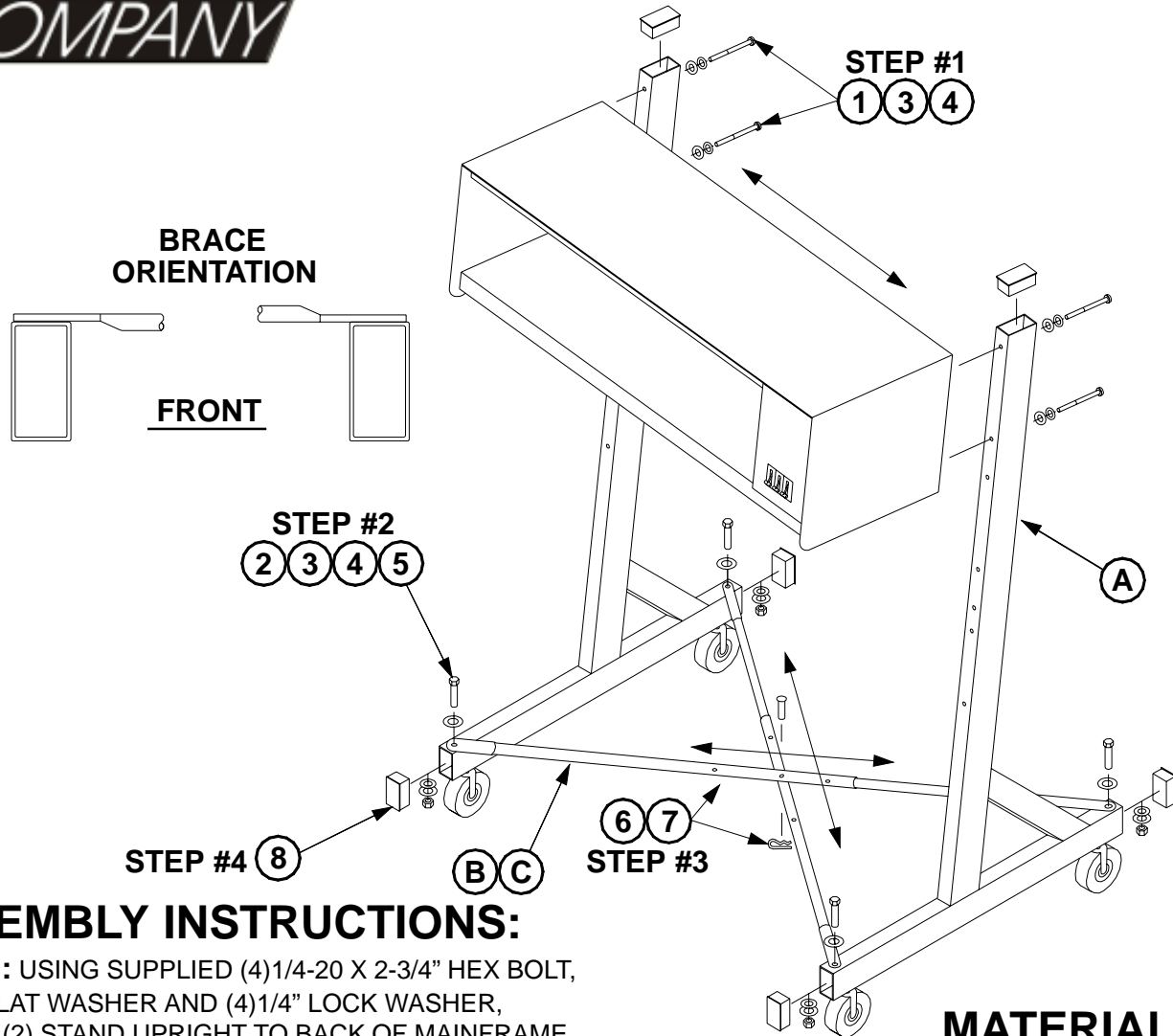




VC-FS MAINFRAME STAND

ASSEMBLY PROCEDURE & LIST OF MATERIAL



ASSEMBLY INSTRUCTIONS:

STEP 1: USING SUPPLIED (4) 1/4-20 X 2-3/4" HEX BOLT, (4) 1/4" FLAT WASHER AND (4) 1/4" LOCK WASHER, ATTACH (2) STAND UPRIGHT TO BACK OF MAINFRAME THREADED HOLES AS SHOWN.

DO NOT FULLY TIGHTEN BOLTS AT THIS TIME

STEP 2: USING SUPPLIED (4) 1/4-20 X 1" HEX BOLT, (8) 1/4" FLAT WASHER, (4) 1/4" LOCK WASHER AND (4) 1/4-20 HEX NUT, ATTACH CROSS BRACE INNER AND OUTER SLEEVE ASSEMBLIES TO THE UPRIGHTS AS SHOWN. THE BRACE ASSEMBLY "TELESCOPES" TO THE APPROPRIATE LENGTH BY ALLOWING THE INNER SLEEVE TO SLIDE INTO AND OUT OF THE OUTER SLEEVE.

DO NOT FULLY TIGHTEN BOLTS AT THIS TIME

STEP 3: ADJUST SQUARENESS OF UPRIGHT AND FRAME ASSEMBLY BY ADJUSTING THE CROSS BRACE ASSEMBLY LENGTH. ONCE SQUARE THE (4) CENTER CROSS BRACE HOLES WILL LINE UP. USE THE SUPPLIED 1/4 X 1-1/2" CLEVIS PIN AND HITCH PIN TO SECURE CROSS BRACES.

NOW COMPLETE FULL TIGHTENING OF ALL BOLTS.

STEP 4: INSTALL SUPPLIED (6) 1" X 2" PLASTIC CAPS INTO STAND UPRIGHT TUBE ENDS. (IT MAY BE NECESSARY TO USE A RUBBER Mallet TO DRIVE THE CAPS INTO PLACE).

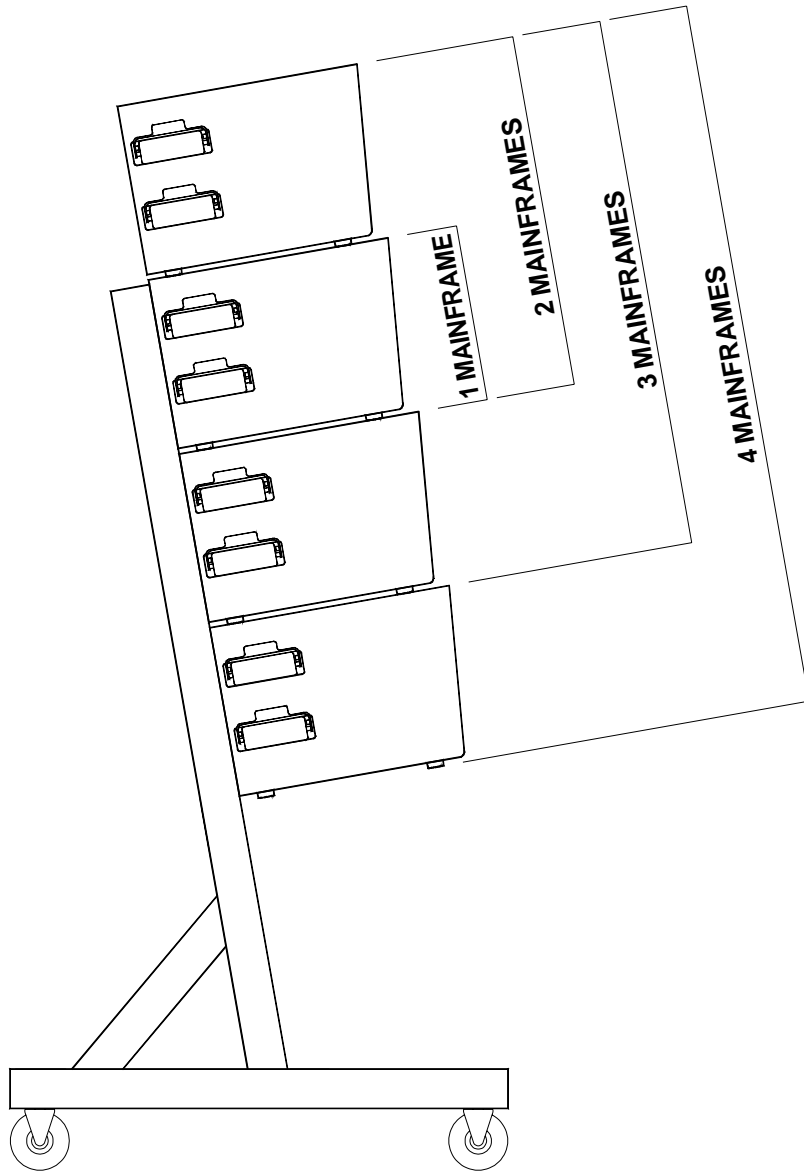
MATERIAL LIST

DES	DESCRIPTION	QTY
A	STAND UPRIGHT	2
B	CROSS BRACE - OUTER SLEEVE	2
C	CROSS BRACE - INNER SLEEVE	2
1	1/4-20 X 2-3/4" LONG HEX BOLT	4
2	1/4-20 X 1" LONG HEX BOLT	4
3	1/4 FLAT WASHER	12
4	1/4 SLIT LOCK WASHER	8
5	1/4-20 HEX NUT	4
6	1/4 X 1-1/2" CLEVIS PIN	1
7	#213-P HITCH PIN	1
8	1" X 2" PLASTIC CAP - BLACK	6



VC-FS MAINFRAME STAND

MAINFRAME & STACKED MAINFRAME ORIENTATION



NOTICE!!

WHEN MOUNTING MULTIPLE MAINFRAMES IT IS CRITICAL THAT THE MAINFRAMES BE POSITIONED ON THE MAINFRAME STAND AS DETAILED!!

MOUNTING MAINFRAMES IN A MANNER OTHER THAN THAT SPECIFIED WILL CAUSE UNEVEN WEIGHT DISTRIBUTION AND WILL MAKE THE ASSEMBLY UNSTABLE. THIS MAY LEAD TO OPERATOR INJURY AND EQUIPMENT DAMAGE!!

SAFETY WARNING!!

