

Radius Top Locks



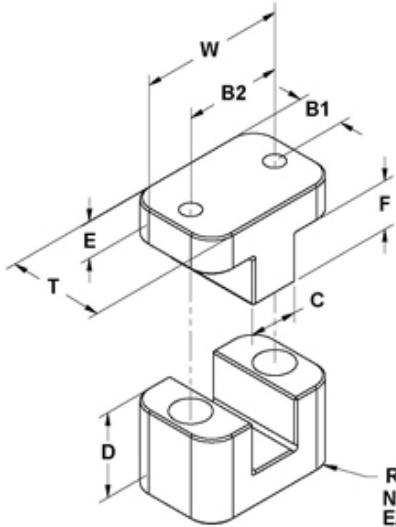
Features:

- Radius on all four corners
- Thickness is relieved on male insert past the parting line
- Female inserts are notched for easy removal
- Exposed edges chamfered
- Grease grooves present on male insert

| Black & Silver Part Number | Black & Gold Part Number |
|-------------------------------|-----------------------------|
| TL-100R | TL-125PR |
| TL-125R | TL-150PR |
| TL-150R | TL-200PR |
| TL-200R | TL-250PR |
| TL-300R | TL-300PR |

CAD Files available at www.pcs-company.com

Black & Gold Top Locks



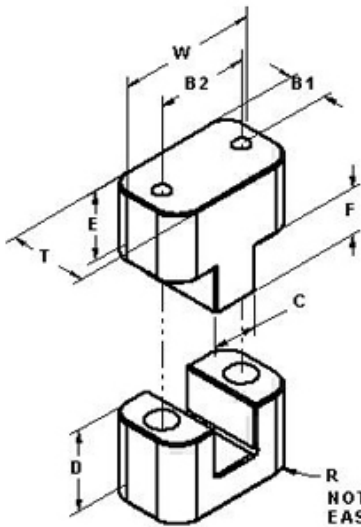
NOTE: LARGER RADIUS FOR EASY MACHINING



ALL HOLES ARE MACHINED TO (B) LOCATION
B2 DIMENSION CENTRAL TO DIMENSION W

| Part Number | T +.000 -.002 | W +.0000 -.0004 | D +.000 -.002 | E +.000 -.002 | F +.00 -.01 | C ±.0001/.0002 Clearance Per Side | B1 +.01 | B2 ±.01 | R POCKET RADIUS | SHCS Male | SHCS Female |
|-------------|---------------------|-----------------------|---------------------|---------------------|-------------------|---|------------|------------|--------------------|---------------|------------------|
| TL-125PR | .750 | 1.250 | .625 | .500 | .38 | .438 | .375 | .875 | .250 | #8-32 X 5/8" | #8-32 X 3/4" |
| TL-150PR | 1.000 | 1.500 | .875 | .375 | .50 | .500 | .500 | 1.000 | .250 | #10-32 X 1/2" | #10-32 X 1" |
| TL-200PR | 1.125 | 2.000 | .875 | .625 | .50 | .750 | .563 | 1.375 | .375 | 1/4-20 X 3/4" | 1/4-20 X 1" |
| TL-250PR | 1.500 | 2.500 | 1.375 | .625 | .75 | 1.000 | .750 | 1.750 | .375 | 1/4-20 X 3/4" | 1/4-20 X 1 1/2" |
| TL-300PR | 1.750 | 3.000 | 1.250 | .875 | .75 | 1.125 | .875 | 2.250 | .500 | 5/16-18 X 1" | 5/16-18 X 1 1/4" |

Black & Silver Top Locks



NOTE: LARGER RADIUS FOR EASY MACHINING



ALL HOLES ARE MACHINED TO (B) LOCATION
B2 DIMENSION CENTRAL TO DIMENSION W

| Part Number | T +.000 -.002 | W +.0000 -.0004 | D +.000 -.002 | E +.000 -.002 | F +.00 -.01 | C ±.0001/.0002 Clearance Per Side | B1 +.01 | B2 ±.01 | R POCKET RADIUS | SHCS Male | SHCS Female |
|-------------|---------------------|-----------------------|---------------------|---------------------|-------------------|---|------------|------------|--------------------|---------------|-----------------|
| TL-100R | .500 | 1.000 | .500 | .375 | .275 | .375 | .250 | .688 | .187 | #6-32 X 1/2" | #6-32 X 5/8" |
| TL-125R | .625 | 1.250 | .625 | .500 | .375 | .438 | .312 | .875 | .250 | #6-32 X 1/2" | #6-32 X 5/8" |
| TL-150R | .875 | 1.500 | .875 | .750 | .500 | .500 | .437 | 1.000 | .250 | #8-32 X 3/4" | #8-32 X 7/8" |
| TL-200R | 1.000 | 2.000 | 1.125 | .750 | .625 | .750 | .500 | 1.375 | .375 | #10-32 X 3/4" | 7/8" X 1" |
| TL-300R | 1.125 | 3.000 | 1.500 | .750 | .750 | 1.125 | .562 | 2.250 | .500 | 1/4-20 X 1" | 1/4-20 X 1-1/2" |