

Cycle Counter

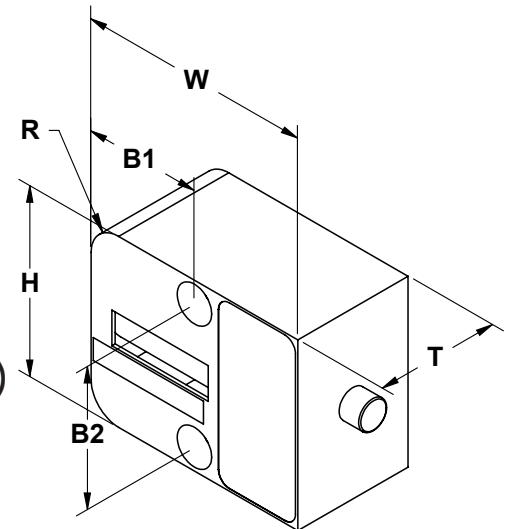


Features:

- Lifetime Warranty
- Industry standard footprint
- Tool I.D. plaque comes standard
- 7-digit, mechanical counter
- Durable polycarbonate housing
- Easily mounted to the mold
- Maximum operating temperature of 250°F (120°C)
- 8-32 x 1 mounting screws included

Benefits:

- Accurately monitor mold cycle count
- Aids in overall mold maintenance procedures



Part No.	W	T	B1	B2	H	R
CCPL-100-P	1.875	1.000	0.938	1.125	1.500	0.3125

CAD Files available at www.pcs-company.com