

Machined Mold Clamps



Table of Contents

Open Toe Mold Clamp Assemblies (Pages 2-4)

Heavy Duty Open Toe Mold Clamp Assemblies.....2
With Swivel Base Adjusting Screw

Extra Heavy Duty Open Toe Mold Clamp Assemblies.....3
With Swivel Base Adjusting Screw

Heavy Duty Open Toe Mold Clamp Assemblies.....4
With Non-Swivel Base Adjusting Screw

Closed Toe Mold Clamp Assemblies (Pages 5-6)

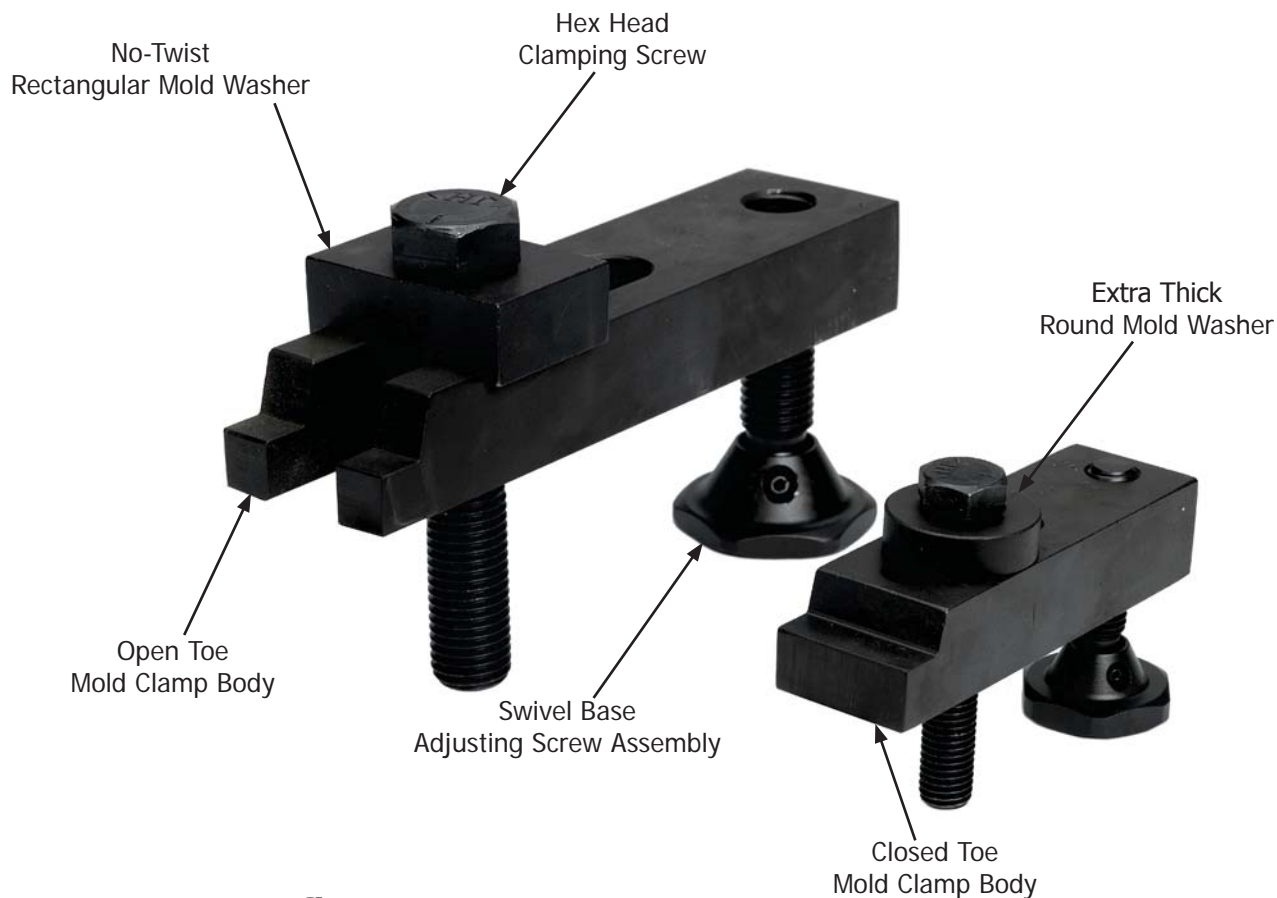
Extra Heavy Duty Closed Toe Mold Clamp Assemblies.....5
With Swivel Base Adjusting Screw

Extra Heavy Duty Closed Toe Mold Clamp Assemblies.....6
With T-bolt & Swivel Base Adjusting Screw

Mold Clamp Replacement Parts.....7

Why PCS Machined Mold Clamps?

PCS Machined Mold Clamps are easy to install and reduce set up time. Each clamp is machined from premium quality steel which is hardened for long life. Both Open Toe and Closed Toe mold clamp body styles are available. Swivel base adjusting screws come standard with most assemblies.



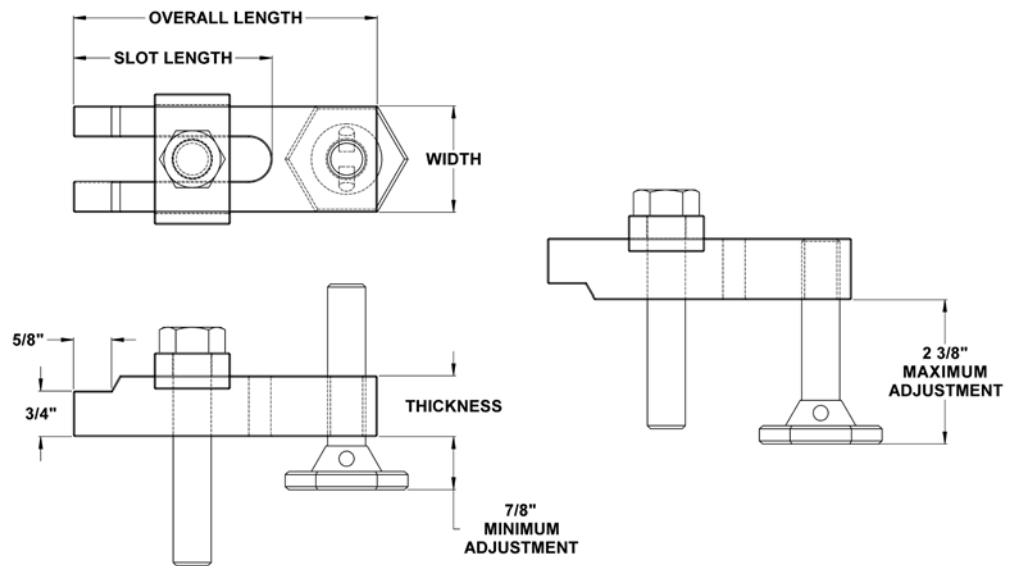
Features & Benefits

- Machined from premium quality steel
- Hardened with a black oxide finish
- Open & closed toe body styles available
- Easy to install
- Purchase complete assemblies or individual replacement parts

Heavy Duty Open Toe Mold Clamp Assemblies



With swivel base adjusting screw

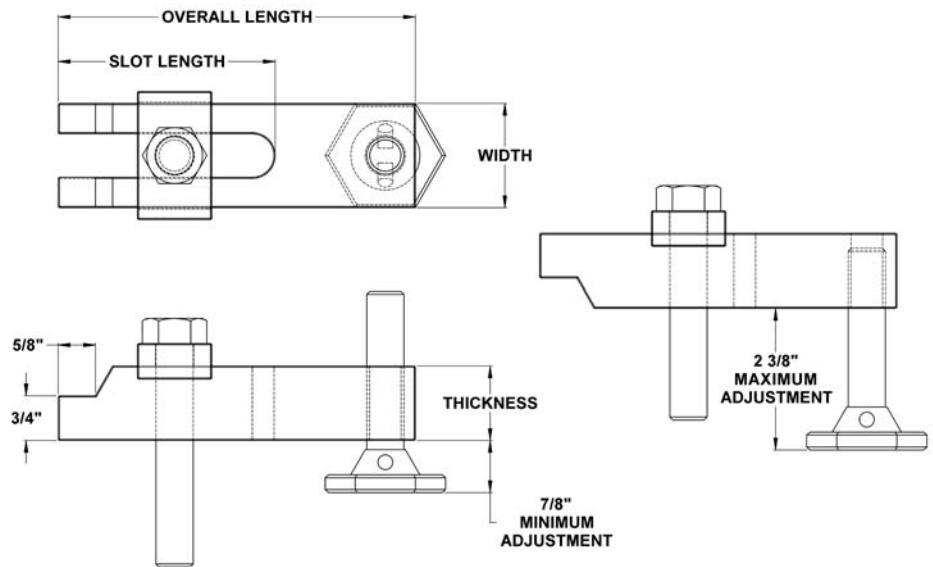


Complete Assembly Part Number	Individual Clamp Body Part Number	For Clamping Screw Diameter	Clamping Screw Size Supplied with Assembly Dia. x Length	Mold Clamp Body Specifications			
				Thickness	Width	Slot Length	Overall Length
TAC584A	HD584	5/8"	5/8-11 x 3-1/2"	1"	1-3/4"	2-3/4"	4
TAC585A	HD585					3-1/4"	5
TAC586A	HD586					3-3/4"	6
TAC587A	HD587					4-1/4"	7
TAC755A	HD755	3/4"	3/4-10 x 4"	1-1/4"	2"	3-3/8"	5
TAC756A	HD756					3-7/8"	6
TAC757A	HD757					4-3/8"	7
TAC758A	HD758					5-3/8"	8
TAC110A	HD110	1"	1" 8 x 5"	1-1/2"	2-1/2"	6	10

Extra Heavy Duty Open Toe Mold Clamp Assemblies



With swivel base adjusting screw

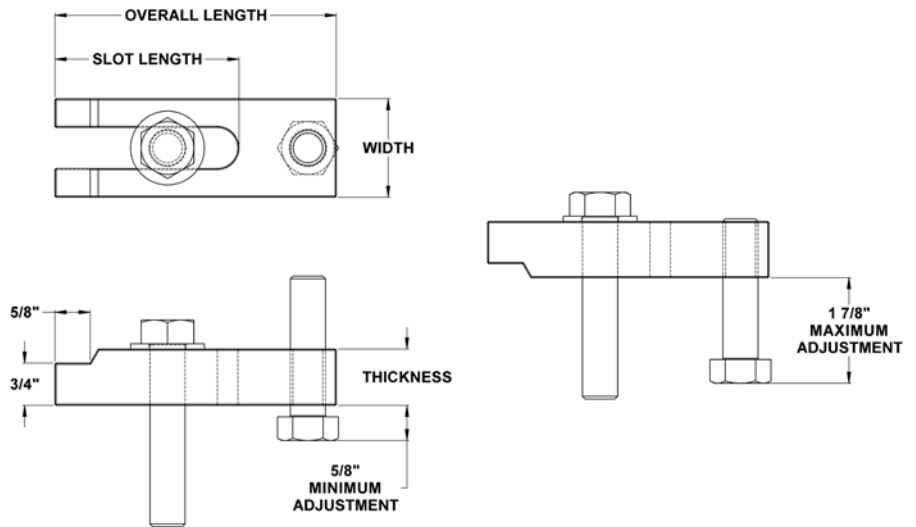


Complete Assembly Part Number	Individual Clamp Body Part Number	For Clamping Screw Diameter	Clamping Screw Size Supplied with Assembly Dia. x Length	Mold Clamp Body Specifications			
				Thickness	Width	Slot Length	Overall Length
TAC5860A	XHD5860	5/8"	5/8-11 x 3-3/4"	1-1/4"	1-3/4"	3-5/8"	6"
TAC5875A	XHD5875					4-5/8"	7-1/2"
TAC7565A	XHD7565	3/4"	3/4-10 x 4-1/2"	1-1/2"	2"	4"	6-1/2"
TAC7580A	XHD7580					5"	8"
TAC7595A	XHD7595					6"	9-1/2"
TAC1008A	XHD1008	1"	1" 8 x 5-1/2"	1-3/4"	2-1/2"	4-3/8"	8"
TAC1011A	XHD1011					6-3/8"	11"

Heavy Duty Open Toe Mold Clamp Assemblies



With non-swivel base adjusting screw

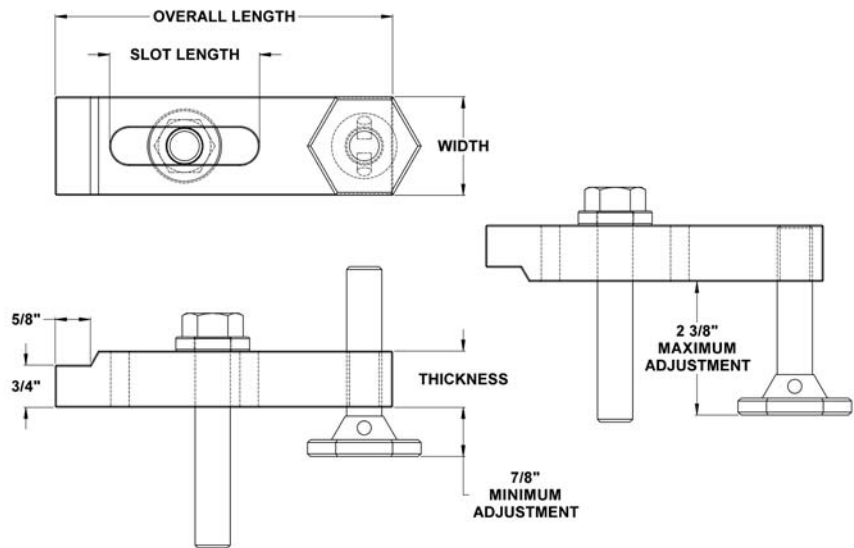


Complete Assembly Part Number	Individual Clamp Body Part Number	For Clamping Screw Diameter	Clamping Screw Size Supplied with Assembly Dia. x Length	Mold Clamp Body Specifications			
				Thickness	Width	Slot Length	Overall Length
CFC584A	HD584	5/8"	5/8-11 x 3-1/4"	1"	1-3/4"	2-3/4"	4"
CFC585A	HD585					3-1/4"	5"
CFC586A	HD586					3-3/4"	6"
CFC587A	HD587					4-1/4"	7"
CFC755A	HD755	3/4"	3/4-10 X 4"	1-1/4"	2"	3-3/8"	5"
CFC756A	HD756					3-7/8"	6"
CFC757A	HD757					4-3/8"	7"
CFC758A	HD758					5-3/8"	8"
CFC110A	HD110	1"	1"-8 x 4-1/2"	1-1/2"	2-1/2"	6"	10"

Extra Heavy Duty Closed Toe Mold Clamp Assemblies



With swivel base adjusting screw

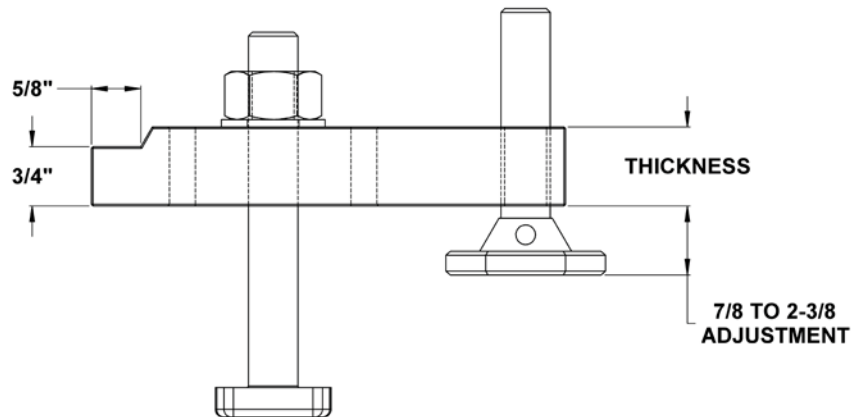
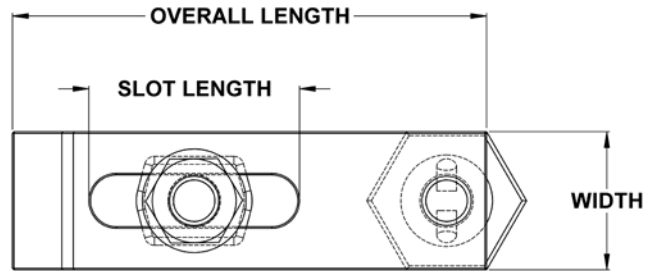


Complete Assembly Part Number	Individual Clamp Body Part Number	For Clamping Screw Diameter	Clamping Screw Size Supplied with Assembly Dia. x Length	Mold Clamp Body Specifications			
				Thickness	Width	Slot Length	Overall Length
TAC5861A	XHD5861	5/8"	5/8-11 x 3-3/4"	1-1/4"	1-3/4"	2-5/8"	6"
TAC5876A	XHD5876					3-5/8"	7-1/2"
TAC7566A	XHD7566	3/4"	3/4-10 x 4-1/2"	1-1/2"	2"	2-3/4"	6-1/2"
TAC7581A	XHD7581					3-3/4"	8"
TAC7596A	XHD7596					4-3/4"	9-1/2"
TAC1009A	XHD1009	1"	1"-8 x 5-1/2"	1-3/4"	2-1/2"	3"	8"
TAC1012A	XHD1012					5"	11"
TAC1250A	XHD1250	1-1/4"	1-1/4"-7 x 6"	1-3/4"	3"	5-1/2"	13"
TAC1500A	XHD1500	1-1/2"	1-1/2-6 x 6"	1-3/4"	3-1/2"	5-3/4"	13-1/2"

Extra Heavy Duty Closed Toe Mold Clamp Assemblies



With T-bolt & swivel base adjusting screw



Complete Assembly Part Number	Individual Clamp Body Part Number	T-Slot Bolt Supplied with Assembly Dia. x Length	Mold Clamp Body Specifications			
			Thickness	Width	Slot Length	Overall Length
TBA5861A	XHD5861	5/8 x 4-1/2"	1-1/4"	1-3/4"	2-5/8"	6"
TBA7566A	XHD7566	3/4 x 5"	1-1/2"	2"	2-3/4"	6-1/2"
TBA1009A	XHD1009	1" x 6"	1-3/4"	2-1/2"	3"	8"

Mold Clamp Replacement Parts

Individual Mold Clamp Bodies Available for all Mold Clamp Assemblies.
See pages 2-6 for part numbers.



Hex Head Adjusting Screw

Part Number	Clamp Screw Dia.	Thread Size	Head Thickness	Height Above Head
H58	5/8	5/8-11	7/16	2-1/2
H75	3/4	3/4-10	1/2	2-1/2
H100	1	1-8	5/8	2-1/2



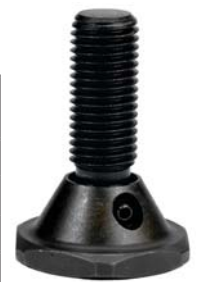
High Strength Grade 5, Hex Head Clamping Screw

Part Number	Length	Thread Size	Hex Size	Thickness
S1235	3-1/2	1/2-13	3/4	5/16
S5832	3-1/4	5/8-11	15/16	25/64
S5835	3-1/2	5/8-11	15/16	25/64
S5837	3-3/4	5/8-11	15/16	25/64
S7540	4	3/4-10	1-1/8	15/32
S7545	4-1/2	3/4-10	1-1/8	15/32
S1045	4-1/2	1-8	1-1/2	39/64
S1050	5	1-8	1-1/2	39/64
S1055	5-1/2	1-8	1-1/2	39/64
S1256	6	1-1/4-7	1-7/8	3/4
S1506	6	1-1/2-6	2-1/4	7/8



Extra Large Swivel Base Adjusting Screw Assemblies

Part Number	Clamp Screw Dia.	Thread Size	Swivel Base Hex Size	Swivel Base Height	Overall Height
H585	5/8	5/8-11	1-3/4	7/8	3
H755	3/4	3/4-10	2	7/8	3-1/2
H1005	1	1-8	2-1/2	1-5/16	3-1/2
H1505	1-1/4 & 1-1/2	1-1/2-6	3	1-5/8	5-5/8



Mold Clamp Replacement Parts

Extra Large No-Twist Rectangular Mold Washers

Part Number	Screw Diameter	Length	Thickness Above Clamp	Clamp Width
SW127	1/2	2-1/4	3/4	1-3/4
SW587	5/8	2-1/4	3/4	1-3/4
SW757	3/4	2-1/2	3/4	2
SW1007	1	3	1	2-1/2



Extra Thick Round Mold Washers

Part Number	Screw Diameter	O.D.	Thickness
RW126	1/2	1-1/2	1/2
RW586	5/8	1-3/4	1/2
RW756	3/4	2	1/2
RW1006	1	2-1/2	5/8
RW1256	1-1/4	3	5/8
RW1506	1-1/2	3-1/2	5/8



Round Mold Washers

Part Number	Screw Diameter	O.D.	Thickness
RW58	5/8	1-1/4	1/4
RW75	3/4	1-1/2	1/4
RW100	1	2	5/16



Heavy Duty Hex Nuts for T-Slot Bolts

Part Number	Thread Size	Hex Size	Thickness
N58	5/8-11	1-1/16	39/64
N75	3/4-10	1-1/4	47/64
N100	1-8	1-5/8	63/64



High Strength T-Slot Bolts

Part Number	Length	Thread Size
TB5845	4-1/2	5/8-11
TB7550	5	3/4-10
TB1060	6	1-8





34488 Doreka Dr.
Fraser, MI. 48026

Phone: 1-800-521-0546
Fax: 1-800-505-3299