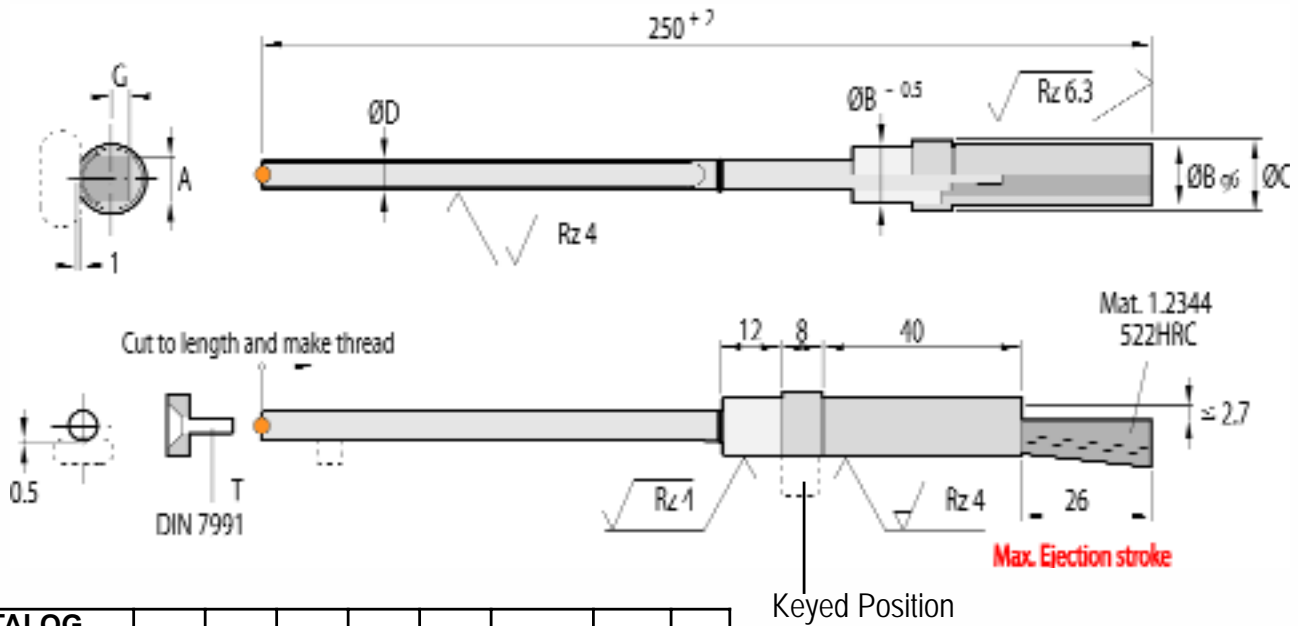


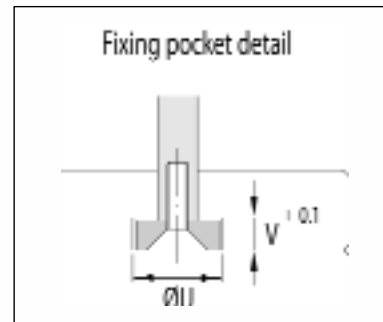


Compact Standard Housing Lifter

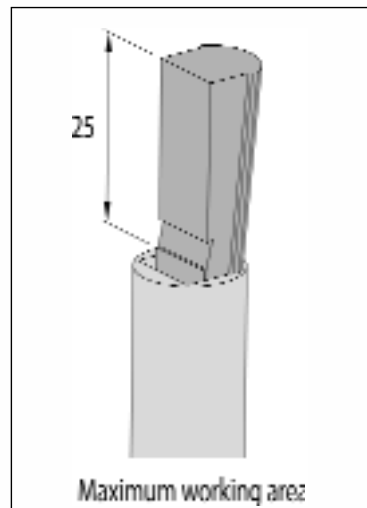
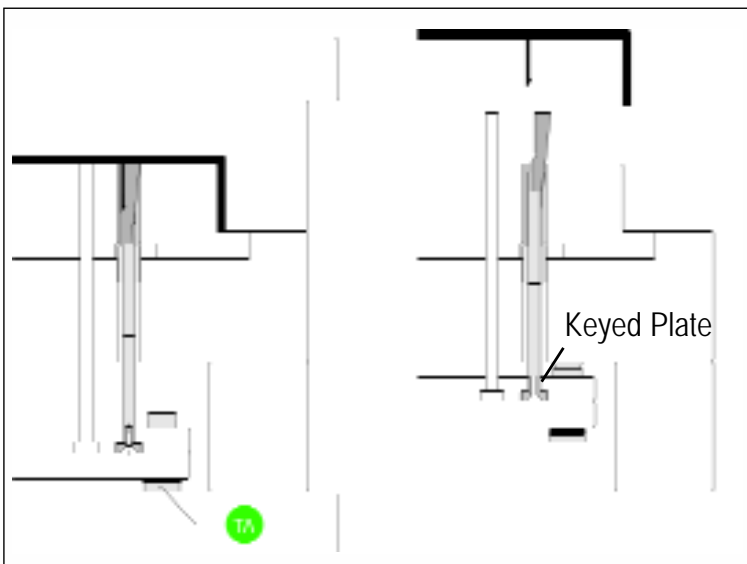
420 Stainless Steel - Hardened 48 +
2HRC Patented CUMSA System



CATALOG NUMBER	A	B	C	D	G	T	U	V
PS-062250	6.2	10	12	6	3.4	M4X16	10.5	5
PS-082250	8.2	12	14	6	4	M4X16	10.5	5
PS-102250	10.2	14	16	8	4.2	M5X20	12.5	6
PS-082250	12.2	16	18	8	4.2	M5X20	12.5	6



The Compact Standard Lifter is used to release small undercuts. The unit is completely pre-adjusted and easy to install. Thanks to the vertical movement perpendicular to the ejector plates, minimum space is required for its installation.



Global Standard for Quality, Service & Support™