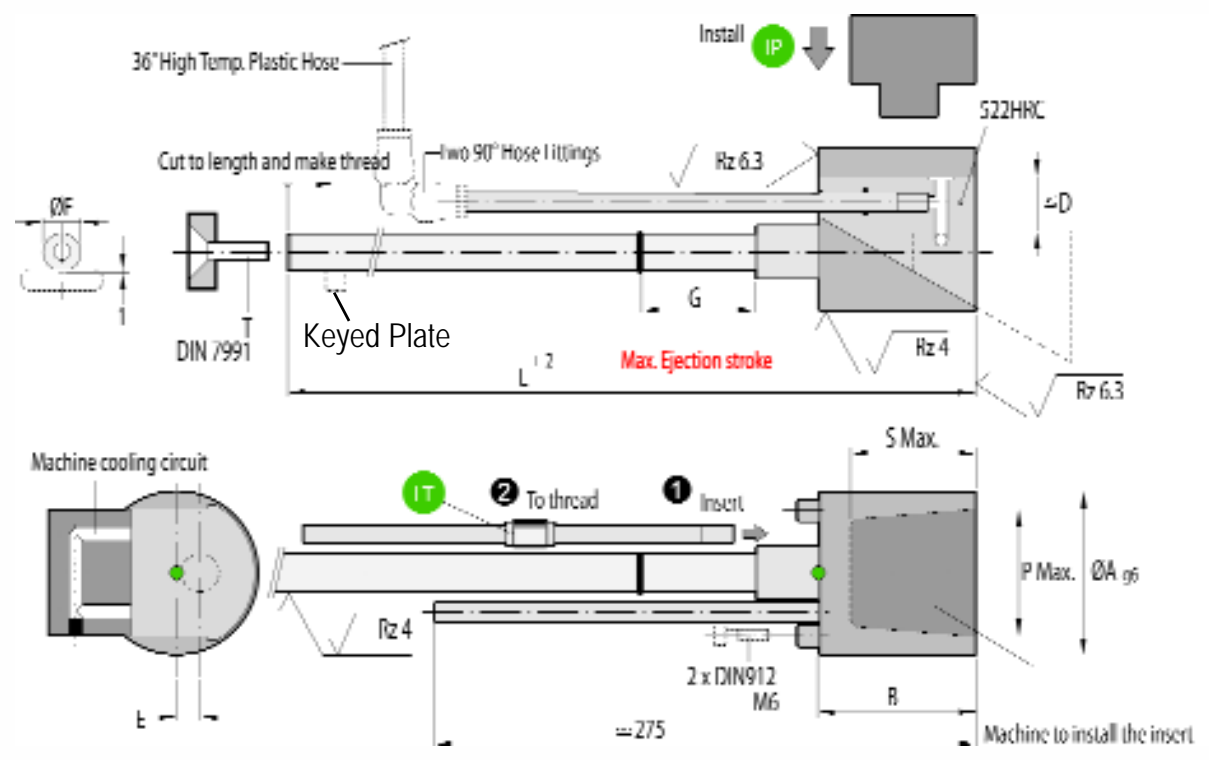




Compact Housing with cooling

Patented CUMSA System



CATALOG NUMBER	A	B	D	E	F	G	K	L	N	O	P	S	T	U	V	IP REF
PK-525036	52	50	20	7.5	12	36	42	340	32.5	45	35.5	30	M8 X25	20.5	8	IP-363024
PC-365022	62	60	26	9	16	46	52	440	40	50	43.5	40	M12X30	28.5	10	IP-444030

Housing Lifter with Cooling uses the same concept as the Regular Housing Lifter (PC), this set is designed to release "clip or clip station" undercuts mainly used in the automotive industry, with minimum ejector stroke. The insert is manufactured from MoldMax XL Material, that is known for it's cooling properties.



- 36" Hose Included
- 4 TA's included
- Sold as a set with hose fittings

