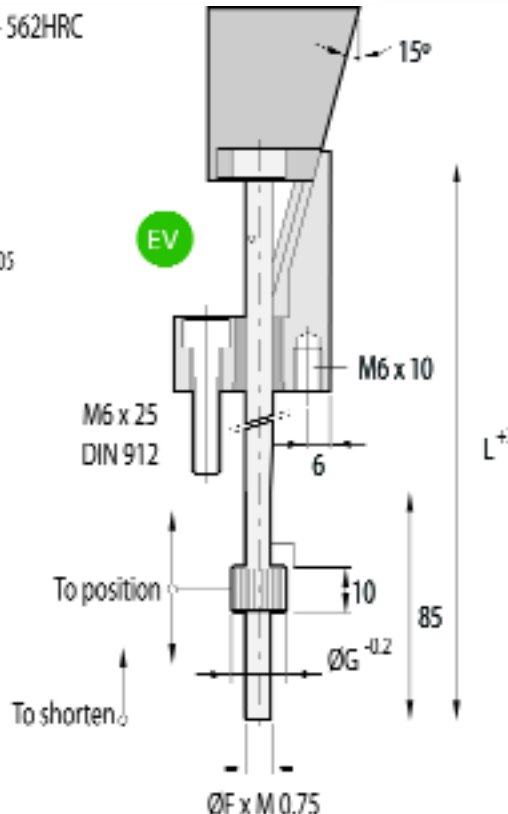
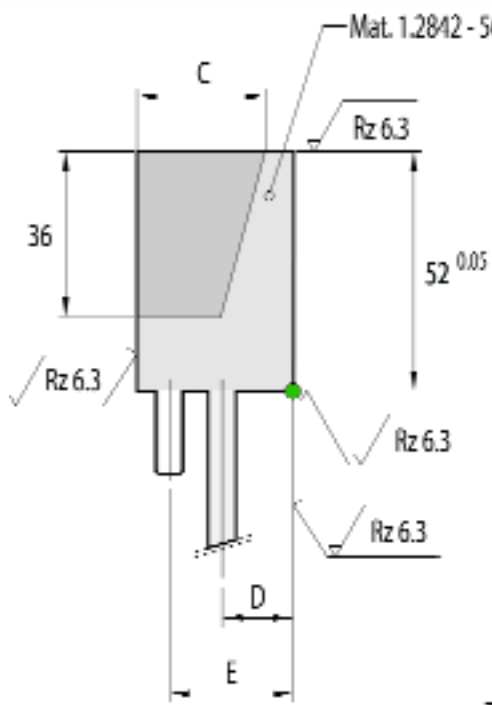


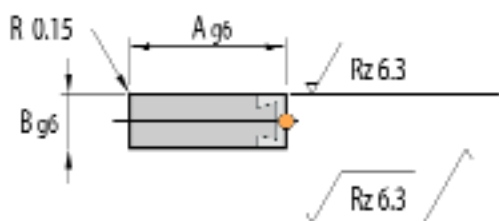
Vertical Lifter Block

Patented CUMSA System



What's Important

- Activated by ejector plates
- Works in simple vertical motion
- Self contained
- Easy to Install
- Off-the-Shelf availability



| CATALOG NUMBER | A | B | C | D | E |
|----------------|----|----|----|------|----|
| PV-341252 | 34 | 12 | 28 | 15.5 | 27 |
| PV-361652 | 36 | 16 | 30 | 16.5 | 29 |
| PC-382052 | 38 | 20 | 32 | 17.5 | 31 |
| PV-402452 | 40 | 24 | 34 | 18.5 | 33 |

