



www.pcs-company.com
800-521-0546

Hot Sprue Bushing Technology

Fraser, MI

Grand Rapids, MI

Corona, CA

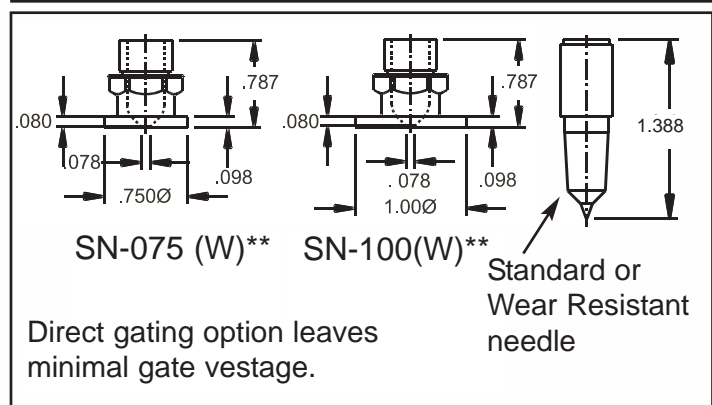
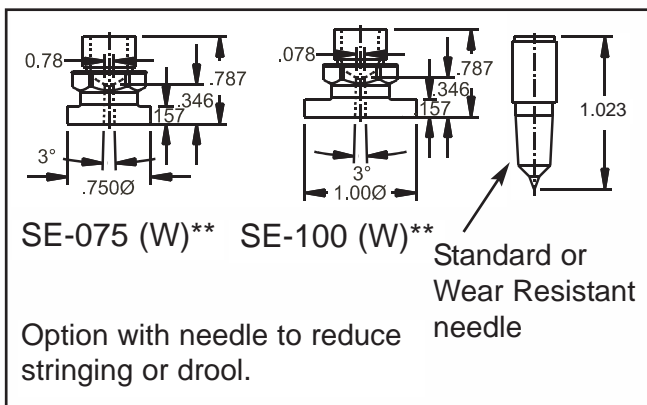
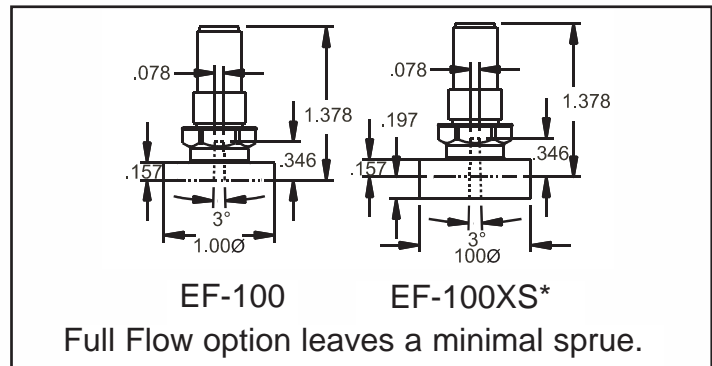
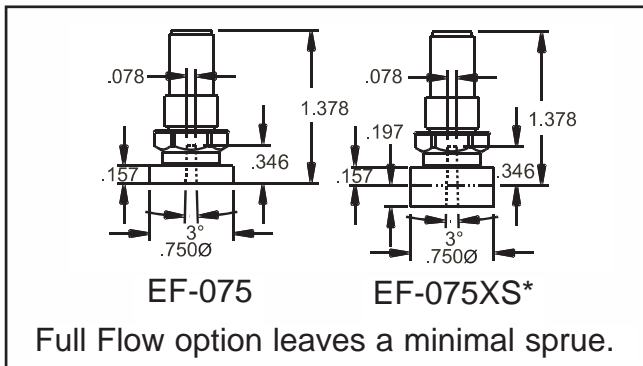
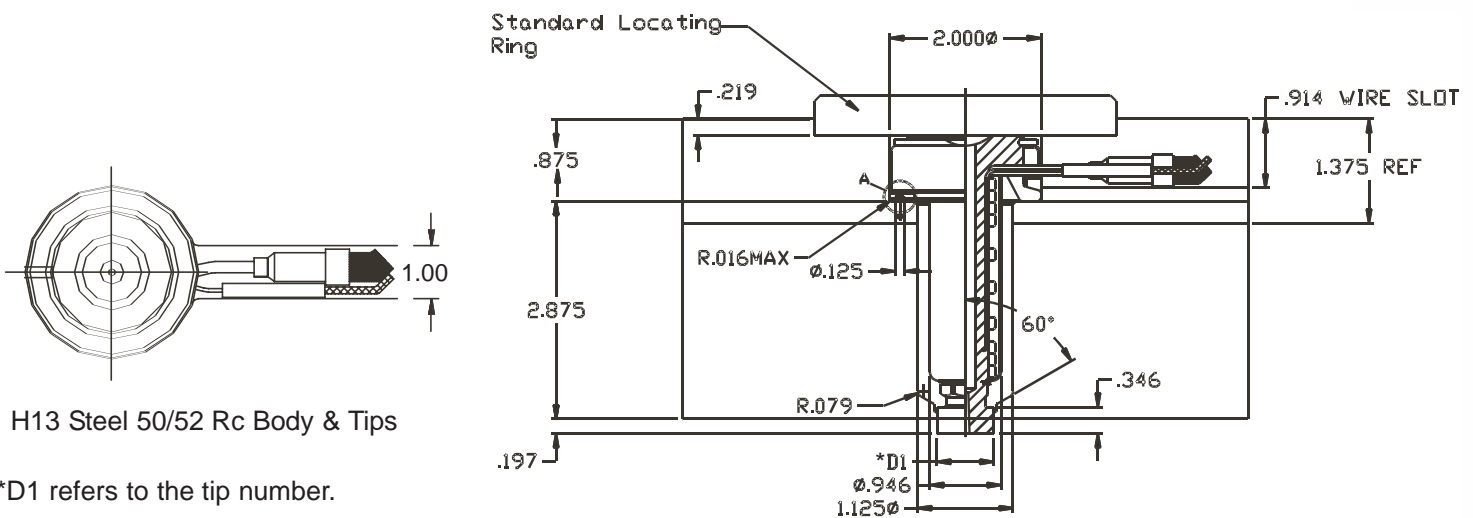
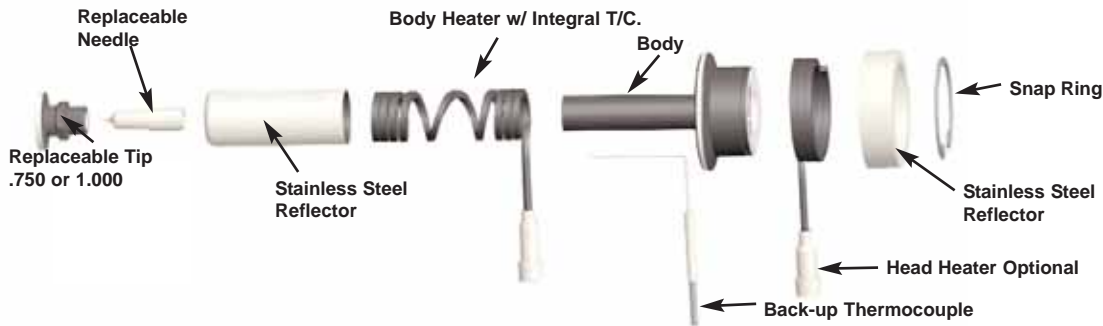
Woodbridge, Canada

Hong Kong



*New Design can be configured
for Commodity or Engineered Grade Resins*

Hot Sprue Bushing with optional head heater



* XS Extra Stock
(for customer alteration)

** To order a Wear Resistant Needle
add a "W" after the part number.

Global Standard for Quality, Service & Support™

800-521-0546



Hot Sprue Bushing

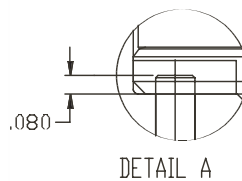
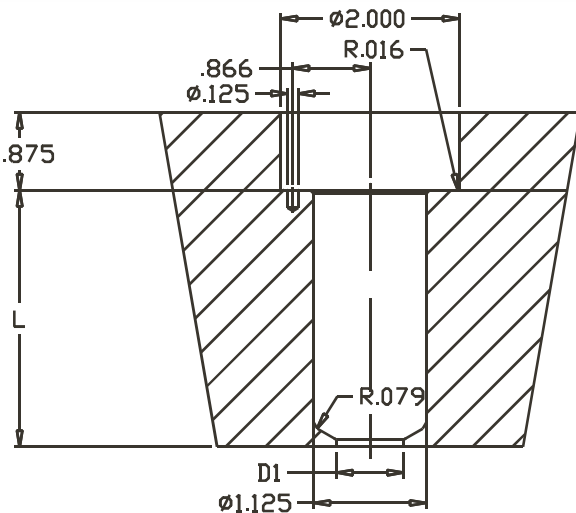
To Order Build your Part Number Below:

Example Part Number HSB-13-1-SN-100-2 OR HSB-13-1-SN-100W-2

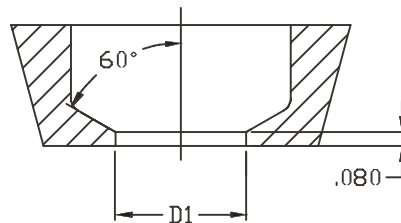
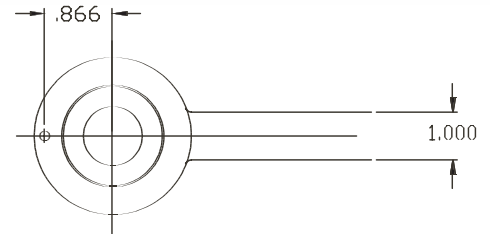
Nozzle Part Number	L = Length	Radius	T = Tip	Head Heater
HSB	Choose From Below	Choose From Below	Choose From Below	Choose From Below
	1.375 = (13)	1/2 = (1)	SN-100	Yes = (2)
	1.875 = (18)	3/4 = 2	SN-100W	No = 1
	2.375 = (23)		SN-075	
	2.875 = (28)		SN-075W	
	3.375 = (33)		SE-100	
	3.875 = (38)		SE-100W	
	4.375 = (43)		SE-075	
			SE-075W	
			EF-075	
			EF-075XS	
			EF-100	
			EDF-100XS	

“W” Designates a Wear Resistant tip
to order add a “W” after part # i.e. SE-075W







Installation Drawings



Dowel Pin Location



Hot Sprue Bushing Replacement Parts

L= Length	 240v Coil Heater with T/C	 S.S. Reflector	 Back-up Thermocouple	 240v Head Heater with T/C	 S.S. Reflector & Snap Ring	 Replaceable Needle
1.375	HSH-13	HSR-13	HST-13	HH-100	HR-100	SE-10
1.875	HSH-18	HSR-18	HST-18	HH-100	HR-100	WSE-10
2.375	HSH-23	HSR-23	HST-23	HH-100	HR-100	SN-10
2.875	HSH-28	HSR-28	HST-28	HH-100	HR-100	WSN-10
3.375	HSH-33	HSR-33	HST-33	HH-100	HR-100	
3.875	HSH-38	HSR-38	HST-38	HH-100	HR-100	
4.375	HSH-43	HSR-43	HST-43	HH-100	HR-100	

Hot Sprue Controllers & Components



ONE ZONE

CATALOG NUMBER

VC-1F*

* Cables ordered separately



TWO ZONE

CATALOG NUMBER

VC-2F*

* Cables ordered separately



MOLD CONNECTOR

CATALOG NUMBER

VC-1MC



CABLE

CATALOG NUMBER

VC-MPTC-15



TERMINAL BOX

CATALOG NUMBER

VC-2TB

Global Standard for Quality, Service & Support™

800-521-0546

PCS
COMPANY
www.pcs-company.com