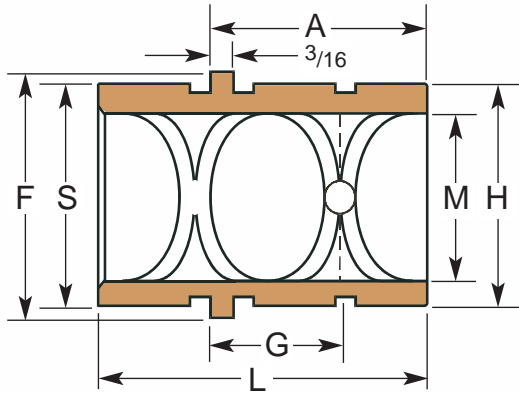


# Guided Ejector Bushings

## Solid & Bronze Plated

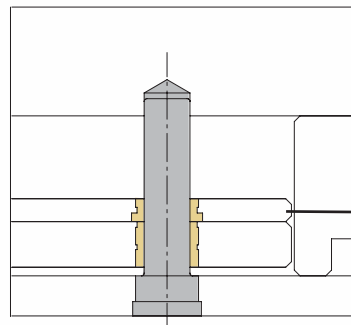
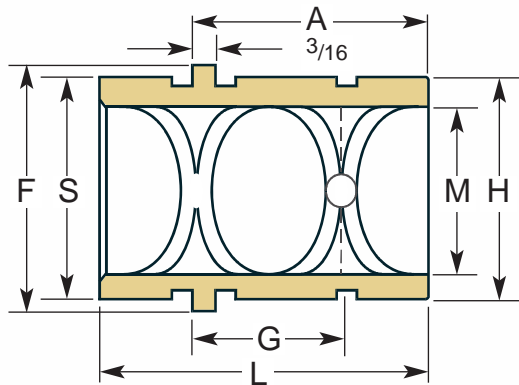


CATALOG NUMBER		M	H	L	F	S	A	G
<b>BRONZE PLATED</b>	<b>SOLID BRONZE</b>	+0.0005 -0.0000	+0.0005 -0.0000	+0.000 -0.062	+0.000 -0.010	+0.000 -0.001	+0.000 -0.030	
-	BGEB-500	.501	.7505	1.50	.853	.749	1.00	.56
GEB-750	BGEB-750	.751	1.1255	1.50	1.302	1.124	1.00	.56
GEB-875	BGEB-875	.876	1.2505	1.50	1.427	1.249	1.00	.56
GEB-100	BGEB-100	1.001	1.3755	1.75	1.552	1.374	1.12	.62
GEB-125	BGEB-125	1.251	1.6255	1.75	1.802	1.624	1.12	.62
GEB-150	-	1.501	2.0005	1.75	2.177	1.999	1.12	.62
GEB-200	-	2.001	2.5005	2.25	2.687	2.499	1.62	.80

\* Also available in hardened steel (i.e. GES-750, GES= Guided Ejector Steel)

# Guided Ejector Bushings

## Solid Bronze with Redesigned Rib



Saves Machining Time!

- Ampco #18
- Superior wear characteristics
- More durable than plated bushings - NO plating to wear through
- Counterbore for rib in pin retainer plate

CATALOG NUMBER	M	H	L	F	S	A	G
RGEB-750	+0.0005 -0.0000	+0.0005 -0.0000	+0.000 -0.03	+0.000 -0.010	+0.000 -0.001	+0.000 -0.030	
RGEB-750	.751	1.1255	1.50	1.302	1.124	1.187	.747
RGEB-875	.876	1.2505	1.50	1.427	1.249	1.187	.747
RGEB-100	1.001	1.3755	1.75	1.552	1.374	1.312	.807
RGEB-125	1.251	1.6255	1.75	1.802	1.624	1.312	.807

