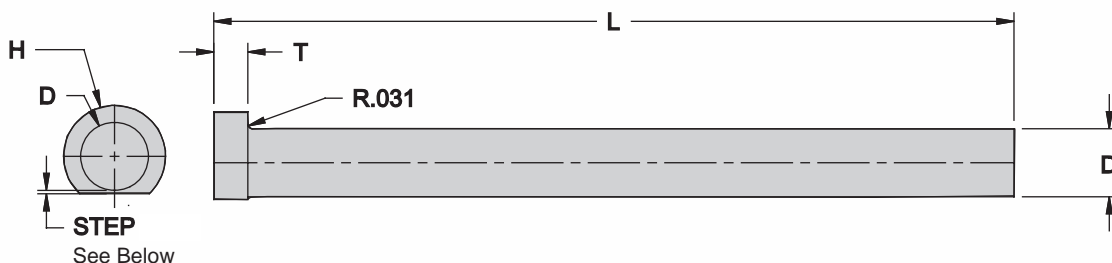


# Hardened Throughout™ D-Headed™ Pins



- IN STOCK
- Save Time and Money let us key your pins
- Etched for easy identification
- **Diameters not shown available upon request**

Tolerances	
Pin Diameter (D) P3 - P33	+0.000 -0.003
Pin Diameter (D) P34 - P47	+0.000 -0.005
Head Diameter (H)	+0.000 -0.010
Head Thickness (T)	+0.000 -0.002
Length (L)	+0.062 -0.000

TOLERANCES	CATALOG NUMBER	D PIN DIA	ACTUAL SIZE +0.000 -0.003	H HEAD DIA	T HEAD THICK.	6" STD	10" STD	14" STD
	DHP9-	1/8	.1245	1/4	1/8	•	•	•
	DHP10-	9/64	.1401	1/4	1/8	•	•	•
	DHP11-	5/32	.1557	9/32	5/32	•	•	•
	DHP-13	3/16	.1870	3/8	3/16	•	•	•
	DHP15-	7/32	.2183	13/32	3/16	•	•	•
	DHP17-	1/4	.2495	7/16	3/16	•	•	•
	DHP21-	5/16	.3120	1/2	1/4	•	•	•
	DHP23-	11/32	.3433	9/16	1/4	•	•	•
	DHP25-	3/8	.3745	5/8	1/4	•	•	•
	DHP27	13/32	.4057	11/16	1/4	•	•	•
	DHP29-	7/16	.4370	11/16	1/4	•	•	•
	DHP33-	1/2	.4995	3/4	1/4	•	•	•
	DHP37-	5/8	.6245	7/8	1/4	•	•	•
	DHP41-	3/4	.7495	1	1/4	•	•	•
DHP47-	1	.9995	1-1/4	1/4	•	•	•	

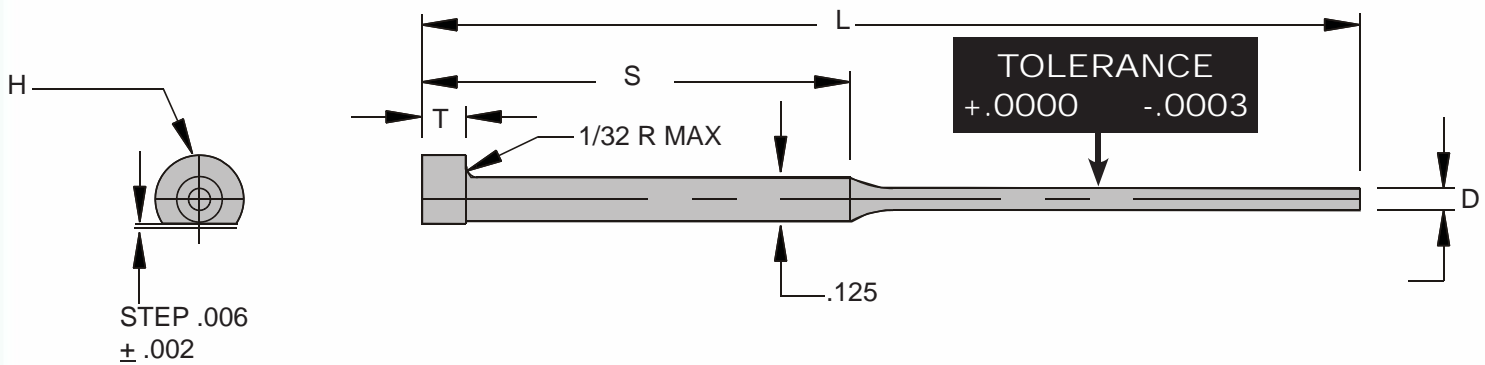
Diameters not shown in 6,10,14, lengths also available upon request.





# Hardened Throughout™ D-Headed™ Step Pins

Tolerances	
Pin Diameter (D)	+0.000 -0.003
Shoulder Diameter	+0.000 -0.001
Shoulder Length (S)	+0.010 -0.010
Head Diameter	+0.000 -0.010
Head Thickness	+0.000 -0.002
Length (L)	+0.062 -0.000

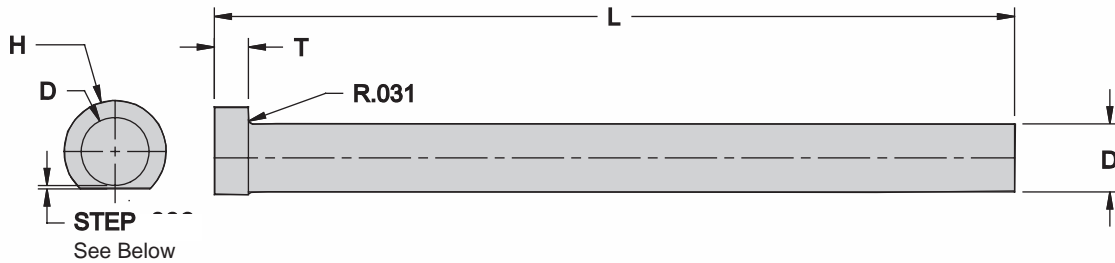


CATALOG NUMBER	D PIN DIA	ACTUAL SIZE +0.000 -0.003	H HEAD DIA	T HEAD THICK.	6" STD	S SHOULDER LENGTH
DSP3-62	1/32	.0307	1/4	1/8	.	2
DSP4-62	3/64	.0464	1/4	1/8	.	2
DSP5-62	1/16	.0620	1/4	1/8	.	2
DSP6-62	5/64	.0776	1/4	1/8	.	2
DSP7-62	3/32	.0933	1/4	1/8	.	2
DSP8-62	7/64	.1089	1/4	1/8	.	2

Longer lengths available



# Nitrided D-Headed™ Pins



- IN STOCK
- Save Time and Money let us key your pins
- Etched for easy identification
- **Diameters not shown Available Upon Request**

Tolerances	
Pin Diameter (D)	+0.000 -0.001
Head Diameter (H)	+0.000 -0.010
Head Thickness (T)	+0.000 -0.002
Length (L)	+0.062 -0.000

TOLERANCES	CATALOG NUMBER	D PIN DIA	H HEAD DIA	T HEAD THICK	6" STD	10" STD	14" STD	18" STD	25" STD
	DNP9-	1/8	1/4	1/8	▪	▪	▪		
	DNP11-	5/32	9/32	5/32	▪	▪	▪	▪	▪
	DNP13-	3/16	3/8	3/16	▪	▪	▪	▪	▪
	DNP17-	1/4	7/16	3/16	▪	▪	▪	▪	▪
	DNP21-	5/16	1/2	1/4	▪	▪	▪	▪	▪
	DNP25-	3/8	5/8	1/4	▪	▪	▪	▪	▪
	DNP33-	1/2	3/4	1/4	▪	▪	▪	▪	▪
	DNP37-	5/8	7/8	1/4	▪	▪	▪	▪	▪
	DNP41-	3/4	1	1/4	▪	▪	▪	▪	▪
	DNP47-	1	1-1/4	1/4	▪	▪	▪	▪	▪

Diameters not shown in 6,10,14,18,25 lengths also available upon request.