



It's like Money in your pocket!

BECAUSE WE HAVE THEM IN STOCK for Same Day Shipping

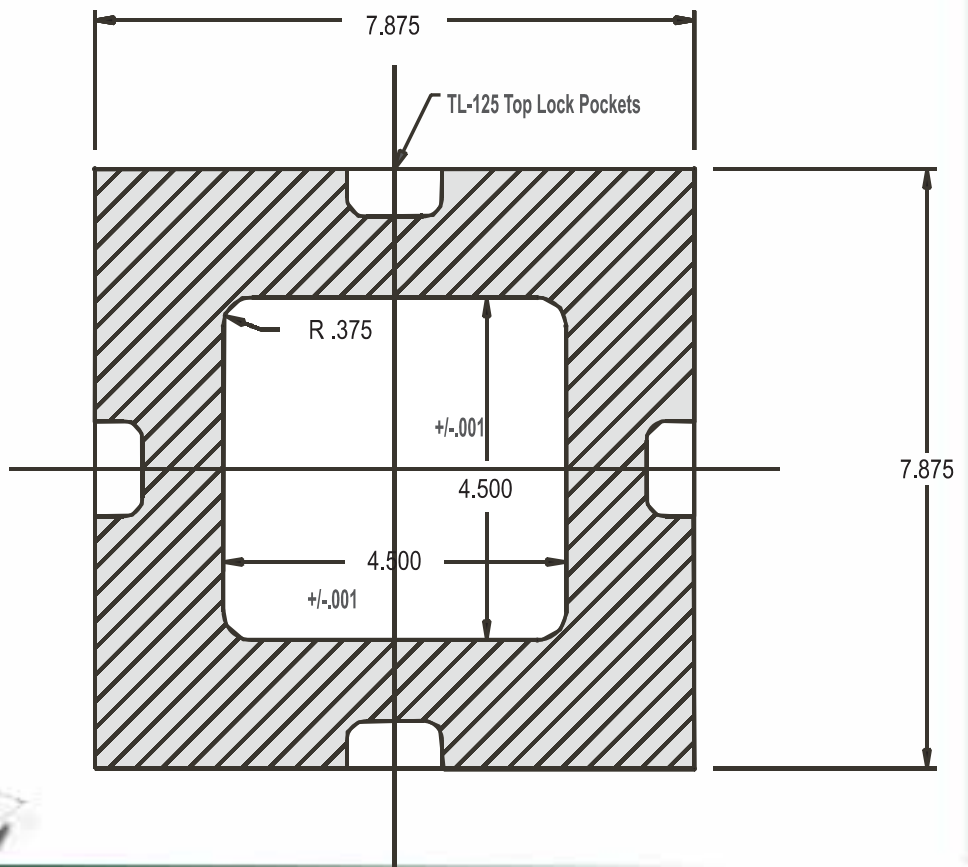
- A & B Plate Thicknesses of : 1.375, 1.875, 2.375
- Interchangeable plate combinations
- TL-125 Top Lock Pockets included
- *Insert Steel available in S-7*



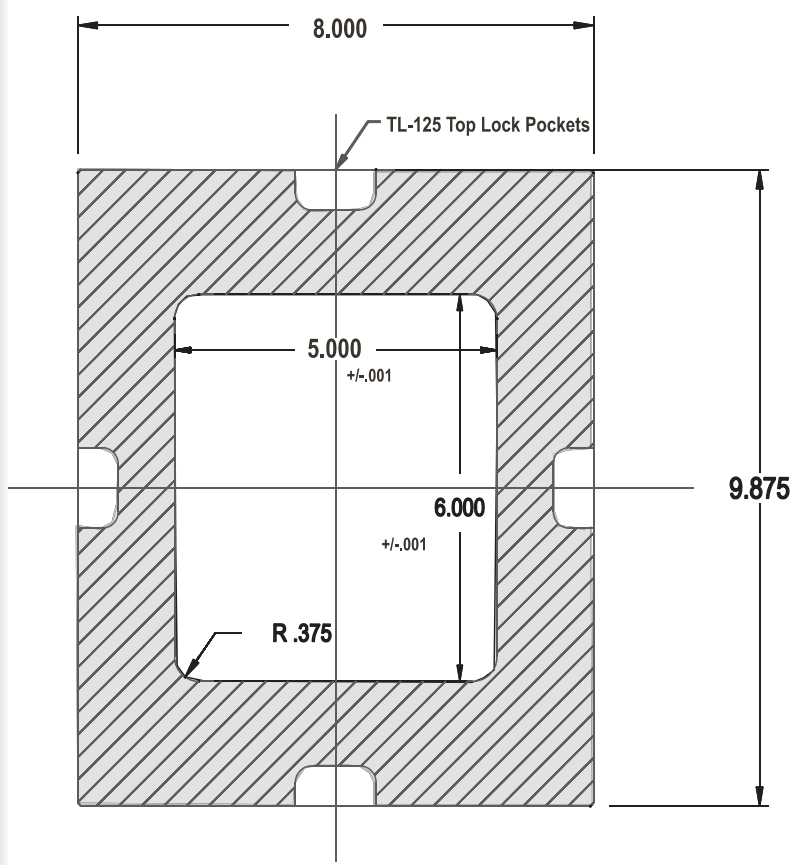
Pre-Pocketed Mold Bases 88 A Series



- A&B Plate thicknesses of: 1.375, 1.875, 2.375
- Interchangeable plate combinations
- TL-125 Top Lock Pockets included



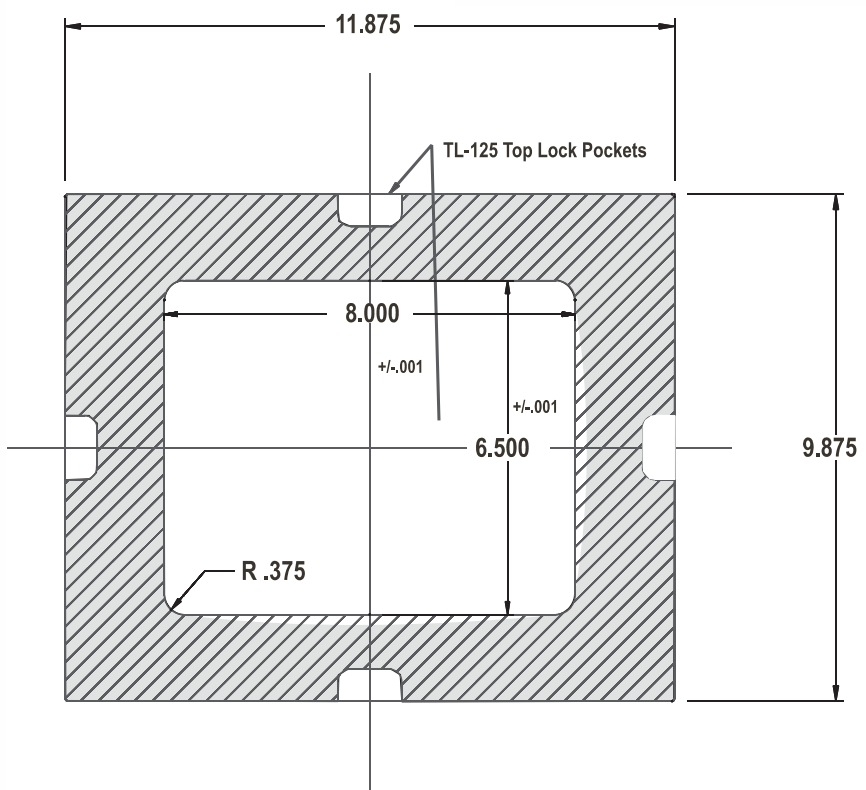
Pre-Pocketed Mold Bases 108 A Series



What's Important

- A&B Plate thicknesses of: 1.375, 1.875, 2.375
- Interchangeable plate combinations
- TL-125 Top Lock Pockets included

Pre-Pocketed Mold Bases 1012 A Series



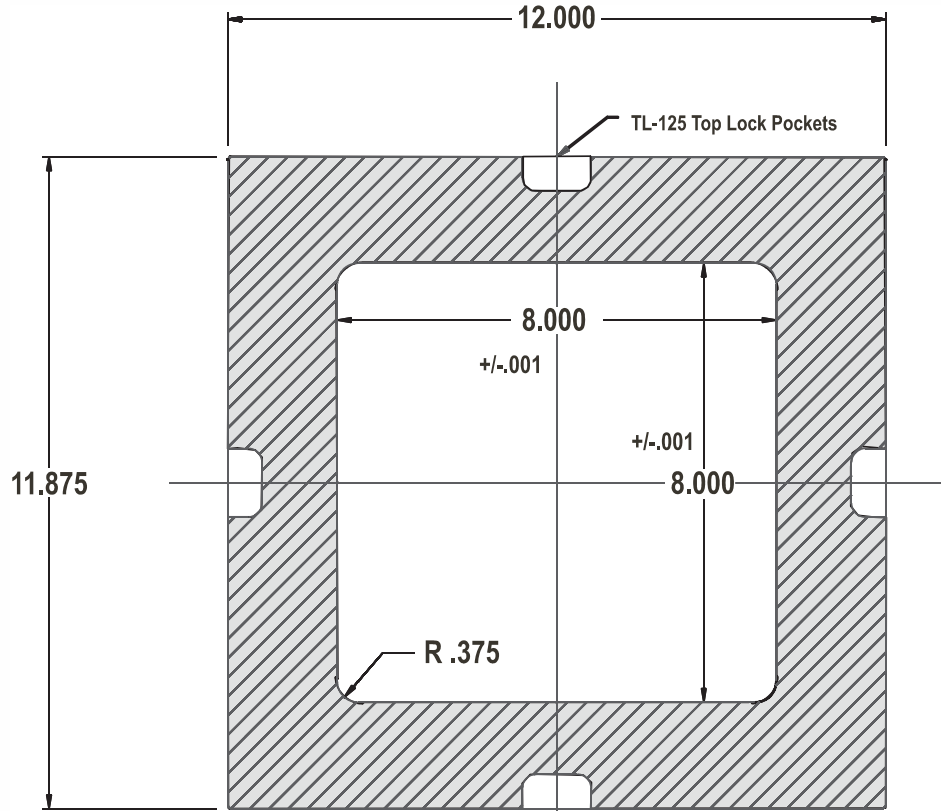
What's Important

- A&B Plate thicknesses of: 1.375, 1.875, 2.375
- Interchangeable plate combinations
- TL-125 Top Lock Pockets included

Pre-Pocketed Mold Bases 1212 A Series

What's Important

- A&B Plate thicknesses of: 1.375, 1.875, 2.375
- Interchangeable plate combinations
- TL-125 Top Lock Pockets included



Pre-Pocketed Mold Bases 1215 A Series

What's Important

- A&B Plate thicknesses of: 1.375, 1.875, 2.375
- Interchangeable plate combinations
- TL-125 Top Lock Pockets included

