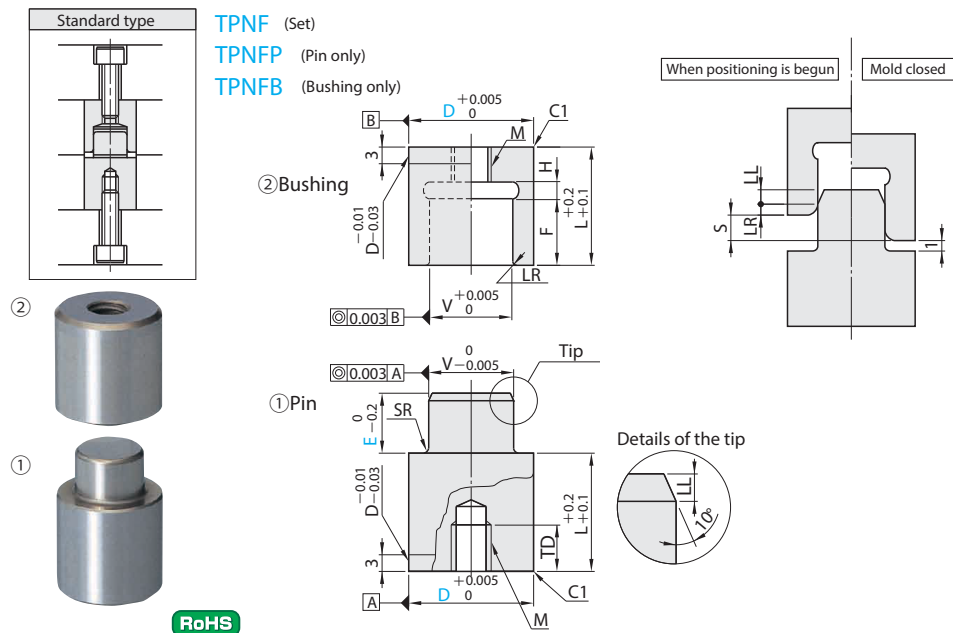


# Metric JIS Straight Round Locks - Standard Installation

PCS Company offers Misumi Metric JIS Straight Round Locks - Standard Installation in full sets, pin only or bushing only options. Lock diameters range from 10mm to 30mm.

## Features:

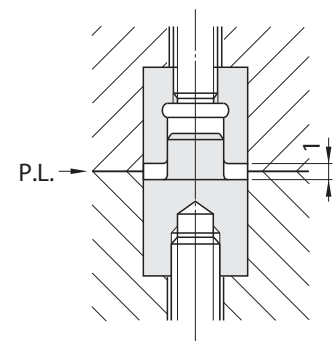
- Unit of Measure: mm
- Material: SKD11 tool steel or equivalent
- Hardness: 58-62 HRC



## When Using

- Contacting the pin and bushing when mold is closed may cause damage. Please leave a clearance of about 1mm on PL.
- Use precision leader pins since clearance is fairly small.

## How to Mount



Item Number			D	L	V	E	LR	LL	S	M	TD	SR	F	H
Full Set	Pin (Male) Only	Bushing (Female) Only	OD	Shoulder Length	Pin Dia.	Pin Height			Effective Engagement	Thread				
TPNF10-7	TPNFP10-7	TPNFB10-7	10	14.5	5	7	0.5	1	4.5	M4	10	0.8	5	2.5
TPNF10-13	TPNFP10-13	TPNFB10-13	10	19.5	5	13	0.5	1	10.5	M4	10	0.8	5	8.5
TPNF13-7	TPNFP13-7	TPNFB13-7	13	14.5	7	7	0.5	1	4.5	M4	10	0.8	5	2.5
TPNF13-13	TPNFP13-13	TPNFB13-13	13	24.5	7	13	0.5	1	10.5	M4	10	0.8	11	2.5
TPNF13-16	TPNFP13-16	TPNFB13-16	13	24.5	7	16	0.5	1	13.5	M4	10	0.8	11	5.5
TPNF16-7	TPNFP16-7	TPNFB16-7	16	14.5	10	7	0.5	1	4.5	M5	10	0.8	5	2.5
TPNF16-13	TPNFP16-13	TPNFB16-13	16	24.5	10	13	0.5	1	10.5	M5	10	0.8	11	2.5
TPNF16-16	TPNFP16-16	TPNFB16-16	16	24.5	10	16	0.5	1	13.5	M5	10	0.8	11	5.5
TPNF20-8	TPNFP20-8	TPNFB20-8	20	14.5	13	8	0.5	1	5.5	M6	12	0.8	6	2.5
TPNF20-11	TPNFP20-11	TPNFB20-11	20	19.5	13	11	0.5	1	8.5	M6	12	0.8	9	2.5
TPNF20-16	TPNFP20-16	TPNFB20-16	20	29	13	16	1	2	12	M6	12	1.5	14	2.5
TPNF20-20	TPNFP20-20	TPNFB20-20	20	29.5	13	20	1	2	16	M6	12	1.5	14	6.5
TPNF25-11	TPNFP25-11	TPNFB25-11	25	19.5	16	11	0.5	1	8.5	M8	16	0.8	9	2.5
TPNF25-13-1	TPNFP25-13-1	TPNFB25-13	25	24.5	16	13	0.5	1	10.5	M8	16	0.8	11	2.5
TPNF25-20	TPNFP25-20	TPNFB25-20	25	34	16	20	1	2	16	M8	16	1.5	18	2.5
TPNF25-25	TPNFP25-25	TPNFB25-25	25	39	16	25	1	2	21	M8	16	1.5	18	7.5
TPNF30-25	TPNFP30-25	TPNFB30-25	30	39	20	25	1	2	21	M10	20	1.5	23	2.5