

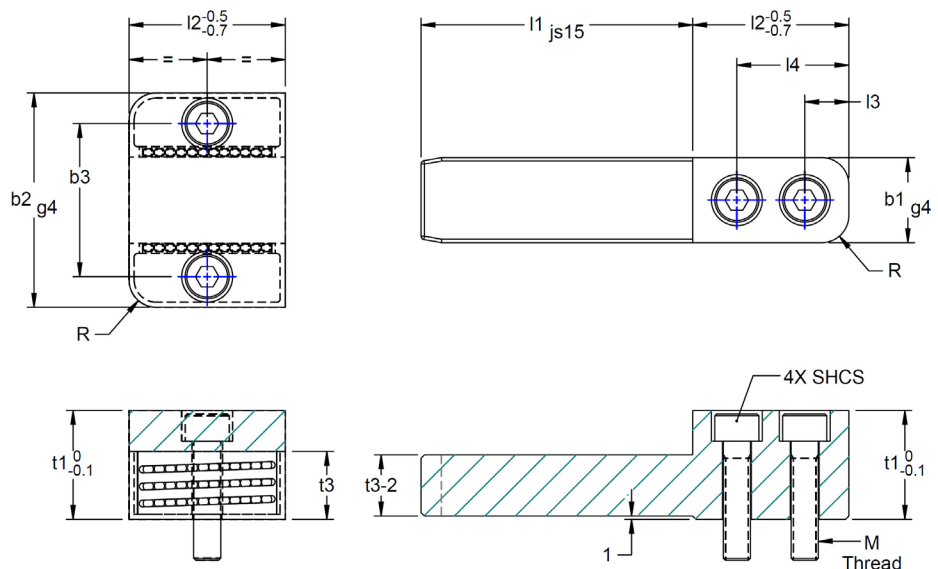
Bolexp Metric Ball Guided Side Lock - Bar

PCS Company offers Bolexp Metric Ball Guided Side Lock - Bar in 10 standard sizes. Bar lengths range from 25mm up to 112mm. The ball bearings are installed in a compact block and aligned in a tilted pattern for high production and easy maintenance.



Features:

- Unit of Measure: Millimeter
- Maximum working temperature: 200°C or 392°F
- Lubricant: CLP Oil DIN 51524
- Hardness: 60-62 HRC
- Material: Tool Steel DIN 1.2379



Item Number	b1 Bar Width	b2 Guide Width	l1 Bar Projection	l2 Lock Height	t1 Lock Thickness	t3	R Radius	M Thread Size	SHCS	b3	l3	l4
CL508045025	12	45	25	27	22	14	6	M6x1.0	M6 X 25	29	7	20
CL508045050	12	45	50	27	22	14	6	M6x1.0	M6 X 25	29	7	20
CL508050032	17	50	32	36	25	15	8	M6x1.0	M6 X 25	35	10	26
CL508050063	17	50	63	36	25	15	8	M6x1.0	M6 X 25	35	10	26
CL508063040	25	63	40	46	32	20	8	M8x1.25	M8 X 35	45	13	33
CL508063080	25	63	80	46	32	20	8	M8x1.25	M8 X 35	45	13	33
CL508085050	35	85	50	56	36	24	10	M10x1.5	M10 X 40	60	16	41
CL508085100	35	85	100	56	36	24	10	M10x1.5	M10 X 40	60	16	41
CL508100056	45	100	56	66	40	25	10	M12x1.75	M12 X 45	74	19	48
CL508100112	45	100	112	66	40	25	10	M12x1.75	M12 X 45	74	19	48